

EAL..

EAL.. Provides a common alarm output for up to 9 separate alarm input signals. Parallel connection is possible for additional alarm inputs.



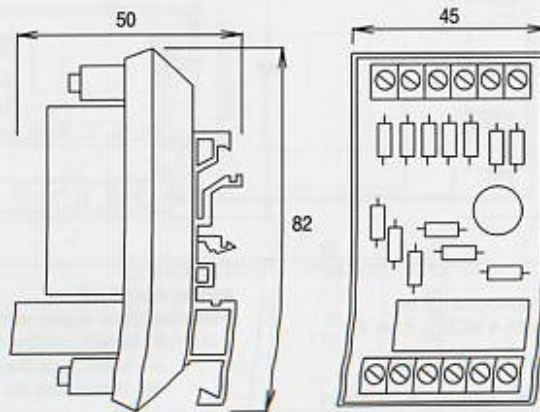
EAL..

Volt free contacts
 Terminals 0.5-2.5mm rising clamps
 Max ambient 50 C
 Enclosure Flammability = UL94-V0

Type	Input	Max No of Inputs	Output Switch 230VAC SPST	Consumption	Mounting	Enclosure
EAL-24	24VAC	9	10(3)A	<1VA	Din Rail	IP00
EAL-110	110VAC	9	10(3)A	<1VA	Din Rail	IP00
EAL-230	230VAC	9	10(3)A	<2.5VA	Din Rail	IP00

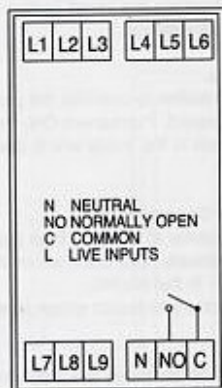
DIMENSIONS:

EAL..



WIRING:

EAL..



When a signal is received on any input - volt free contacts C-NO close

All alarm inputs L1 to L9 must be same voltage and phase

The neutral must be common to all alarm inputs

Each input is isolated to prevent backfeed between inputs

Connect output C-NO in parallel to additional units if more than 9 inputs are required.